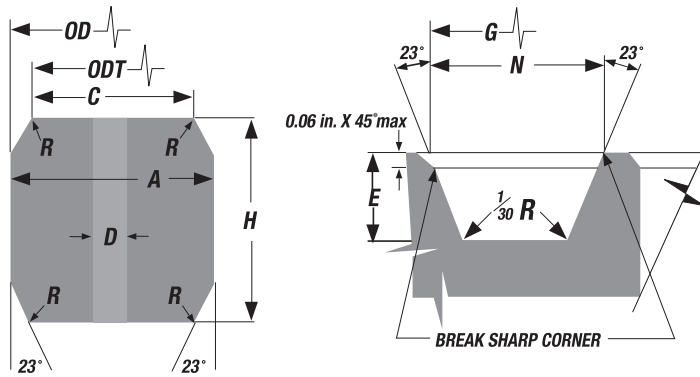


- ▶ Precision finish
- ▶ Material: 316 stainless steel or low carbon steel
- ▶ Dual certification for 316 stainless steel
- ▶ Full traceability
- ▶ Types: BX - Octagonal, R- Oval, RX- Octagonal



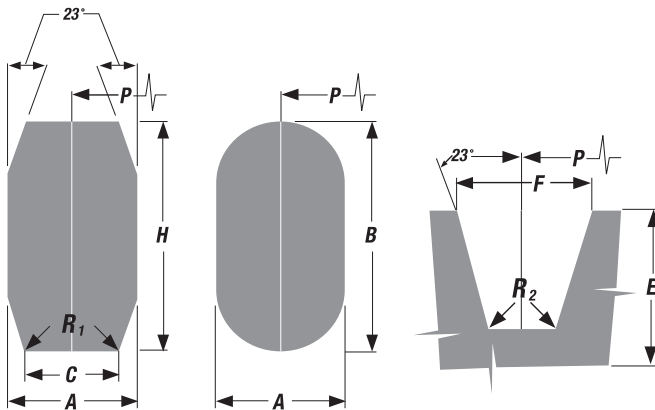
▶ TYPE BX



TOLERANCES

A^a	width of ring	+0.008,-0.000
C	width of flat	+0.006,-0.000
D	hole size	±0.02
E	depth of groove	+0.02,-0
G	OD of groove	+0.004,-0.000
H*	height of ring	+0.008,-0.000
N	width of groove	+0.004,-0.000
OD	OD of ring	+0.000,-0.006
ODT	OD of flat	±0.002
R	radius in ring	see note
23°	angle	± 1/4°

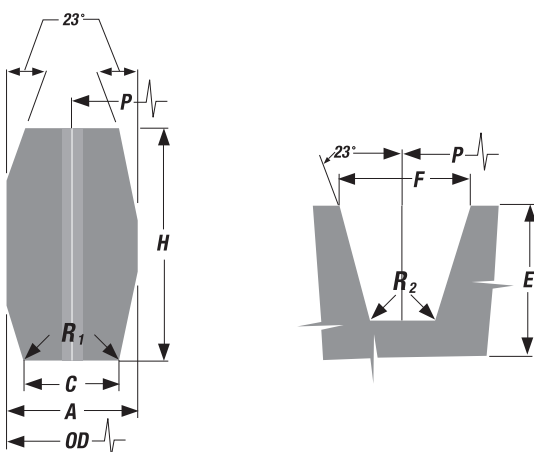
▶ TYPE R



TOLERANCES

A	width of ring	±0.008
B&H	width of ring	±0.02
C	width of flat on octagonal ring	±0.008
E	depth of groove	±0.02 /-0
F	width of groove	±0.008
P	average pitch diameter of ring	±0.007
	average pitch diameter of groove	±0.005
R₁	radius in rings	±0.02
R₂	radius in groove	max
23°	angle	± 1/2°

▶ TYPE RX



TOLERANCES

A*	width of ring	+0.008,-0.000
C	width of flat	+0.006,-0.000
D	height of chamfer	+0.000,-0.03
E	depth of groove	+0.02,-0
F	width of groove	±0.008
H*	height of ring	+0.008,-0.000
OD	OD of ring	+0.020,-0.000
P	average pitch diameter of groove	±0.005
R₁	radius in rings	±0.02
R₂	radius in groove	max
23°	angle	± 1/2°